

628 SERIES

- Ranges from 0 psig to 5,000 psig through 0 psig to 20,000 psig
- Current output
- Inconel X-750 wetted parts
- Canadian Standards Association approved
- Every sensor comes with a Certificate of Calibration
- Certifications pending:
 - Factory Mutual
 - ATEX
 - CE



Shown with optional Electrical Connector Cage

APPLICATIONS

- Acidizing
- Choke & kill manifold
- Fracturing & cementing
- Mud logging & mud pumps
- Oil field & offshore
- Well head measurement

NOSHOK 628 Series transmitters are Canadian Standards Association approved for use in hazardous location applications as follows:

Intrinsically Safe Class I, DIV 1, Groups A,B,C,D,
 -40°C<Tamb<+85°C T4, Class II, DIV 1, Groups E,F,G, Class III, Class I, Zone 0 AEx/Ex ia IIC T4.

Non-Incendive Class I, DIV 2, Groups A,B,C,D,
 -40°C<Tamb<+85°C T4, Class II, DIV 2, Groups F,G, Class III, Class I, Zone 2 AEx/Ex ic IIC T4.

SPECIFICATIONS

Output signal	4 mA to 20 mA, 2-wire
Pressure ranges	0 psig to 5,000 psig through 0 psig to 20,000 psig
Accuracy	±0.25% full scale (BFSL) (Includes the effects of non-linearity, hysteresis, non-repeatability, zero point and full scale errors)
Stability	≤ ±0.2% full scale for 1 year, non-accumulating
Response time	< 2 m/s
Service life	> 10,000,000 load cycles
Temperature ranges	Compensated 40 °F to 140 °F (5 °C to 60 °C) Zero effect is ±0.01% full scale/ °F Span effect is ±0.01% reading/ °F Media -40 °F to 185 °F (-40 °C to 85 °C) Ambient -40 °F to 185 °F (-40 °C to 85 °C) Storage -40 °F to 185 °F (-40 °C to 85 °C)
Power requirement*	10 Vdc to 28 Vdc
Load limitations	≤ (VPower-10)/0.020 Amp
Proof pressure	1.5 times full scale (22,500 psi maximum)
Burst pressure	3 times full scale (22,500 psi maximum)
Measuring element	Inconel X-750
Connection	Inconel X-750
Housing material	316 Stainless Steel
Environmental rating	IP67 depending upon electrical connection
Electromagnetic rating	CE compliant to EMC norm EN 61326:2014/A1:1998 RFI, EMI and ESD protection
Electrical protection	Reverse polarity, over-voltage and short circuit protected
Shock	100 g's according to IEC 60068-2-27
Vibration	15 g's according to IEC 60068-2-6
Weight	Approximately 6 lb.

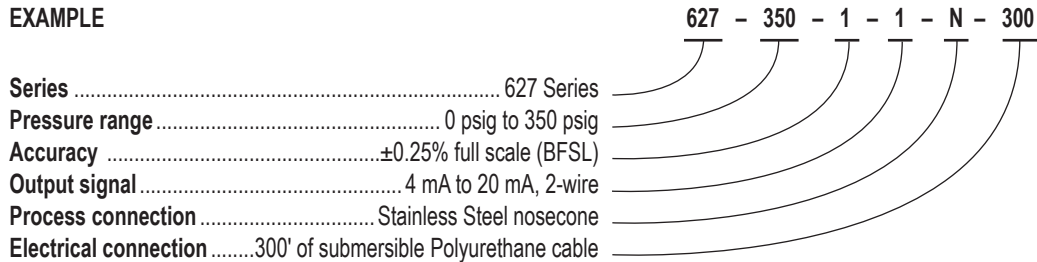
* Unregulated



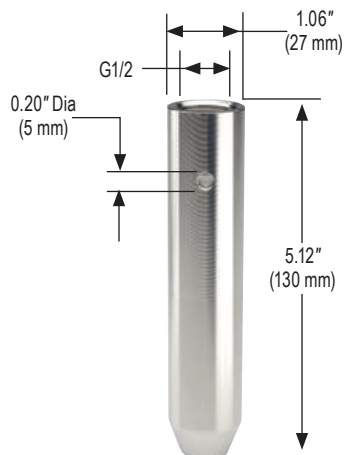
ORDERING INFORMATION			
SERIES	627		
PRESSURE RANGES	50inH ₂ O	0 inH ₂ O to 50 inH ₂ O	5 0 psig to 5 psig (11.5 ftH ₂ O)
	100inH ₂ O	0 inH ₂ O to 100 inH ₂ O	10 0 psig to 10 psig (23.1 ftH ₂ O)
	150inH ₂ O	0 inH ₂ O to 150 inH ₂ O	15 0 psig to 15 psig (34.6 ftH ₂ O)
	250inH ₂ O	0 inH ₂ O to 250 inH ₂ O	25 0 psig to 25 psig (57.7 ftH ₂ O)
	400inH ₂ O	0 inH ₂ O to 400 inH ₂ O	30 0 psig to 30 psig (69.2 ftH ₂ O)
			60 0 psig to 60 psig (138.4 ftH ₂ O)
	psig = gauge pressure	inH ₂ O = inches of water	ftH ₂ O = feet of water Other ranges available on request.
ACCURACIES	1	±0.25% full scale (BFSL)	2 ±0.125% full scale (BFSL) on ≥ 150 inH ₂ O
OUTPUT SIGNAL	1	4 mA to 20 mA, 2-wire	
PROCESS CONNECTIONS	N	Stainless Steel nosecone	W Stainless Steel weighted nosecone (1.1 lb.)
	T	G 1/2 B x 1/2" NPT male with 1/4" NPT female	
ELECTRICAL CONNECTIONS	XX	Standard Polyurethane cable	
	38-XX	Optional FEP cable	NOTE: XX = length of cable in feet
OPTIONS	CBC	Cable Clamp	FE Filter Element
	DC	Desiccant Cartridge	JB Cable Junction Box

Please consult your local NOSHOK Distributor or NOSHOK, Inc. for availability and delivery information.

EXAMPLE



Weighted Nosecone



NPT Adapter



2-WIRE WIRING

V+	Brown
V-	Green
Shield	Gray